

### ⚡ Specifications

#### Nominal Voltage(V)

2V

#### Nominal Capacity at 20°C (68°F)

|              |                   |         |
|--------------|-------------------|---------|
| 10 hour rate | (7.5A to 1.80V)   | 75Ah    |
| 5 hour rate  | (12.75A to 1.70V) | 63.75Ah |
| 1 hour rate  | (45A to 1.60V)    | 45Ah    |
| 1C           | (75A to 1.60V)    | 37.5Ah  |

#### Weight

Approx. 6.4kg(14.08Lbs.)

#### Internal Resistance (at 1KHz)

Approx. 1.5 mΩ

#### Maximum Discharge Current for

5 seconds: 450A

#### Charging Methods at 25°C(77°F)

Cycle use:

Charging Voltage 2.40 to 2.50V

Coefficient -5.0mV/°C/cell

Maximum Charging Current : 22.5A

Standby use:

Float Charging Voltage 2.25 to 2.30V

Coefficient -3.0mV/°C/cell

#### Operating Temperature Range

Charge -15°C(5°F) to 40°C(104°F)

Discharge -15°C(5°F) to 50°C(122°F)

Storage -15°C(5°F) to 40°C(104°F)

#### Charge Retention (shelf life) at 20°C(68°F)

|         |     |
|---------|-----|
| 1 month | 98% |
| 3 month | 94% |
| 6 month | 85% |

#### Case Material

ABS UL94 HB

Option: Flammability resistance of (UL94 V-0)

#### Design Life

Expected Trickle Design Life: 12-15 years at 20°C according to Eurobat.

#### Terminal

F18



### ⚡ Dimensions

#### Length (L)

170±3 (6.69±0.12)

#### Width (W)

72±3 (2.83±0.12)

#### Height (H)

205±3 (8.07±0.12)

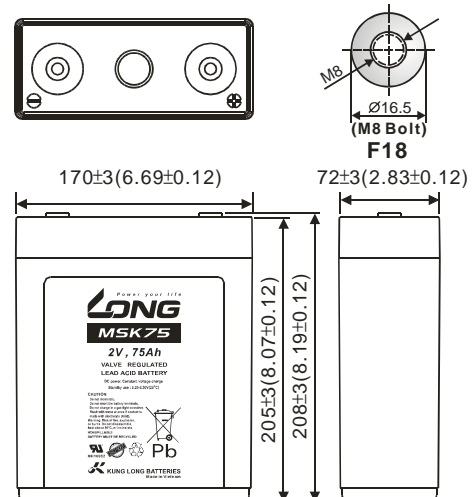
#### Overall Height (HT)

208±3 (8.19±0.12)

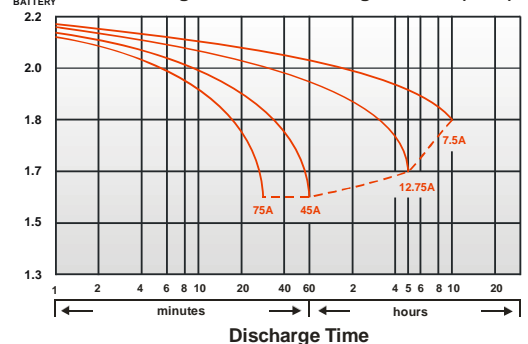
#### Description of torque value of hard ware for the terminals:

|                                |                       |
|--------------------------------|-----------------------|
| Recommended torque value       | M8:12 N-m (122kgf-cm) |
| Maximum allowable torque value | M8:20 N-m (204kgf-cm) |

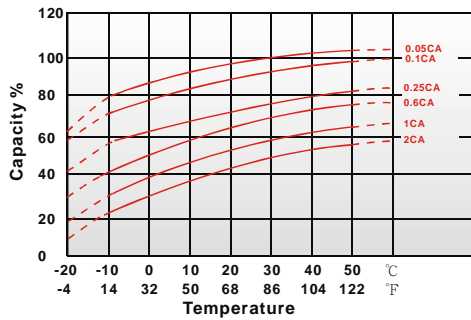
mm(inch)



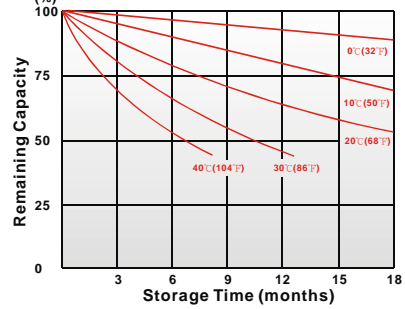
(V) FOR 2V BATTERY Discharge Time VS. Discharge Current (25°C)



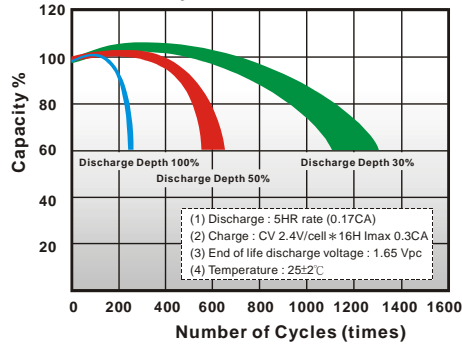
Effect of Temperature on Capacity 25°C (77°F)



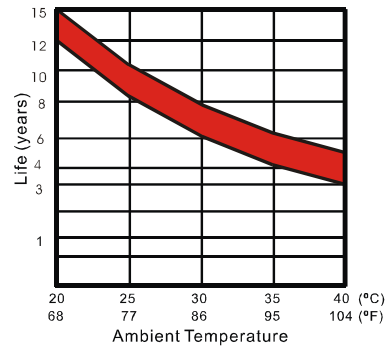
Capacity Retention Characteristic



Cycle Service Life



Trickle (or float) Service Life



### - PERFORMANCE DATA

#### Discharge Rates in Watts to Various End Voltages at 25°C (77°F)

| End Voltage |     | 1.85V | 1.80V | 1.75V | 1.70V | 1.65V | 1.60V |
|-------------|-----|-------|-------|-------|-------|-------|-------|
| Time        |     |       |       |       |       |       |       |
| 20          | min | 119   | 134   | 147   | 157   | 165   | 173   |
| 30          | min | 109   | 123   | 132   | 139   | 145   | 148   |
| 60          | min | 74.2  | 80.6  | 83.6  | 85.8  | 88.6  | 90.6  |
| 120         | min | 45.1  | 48.1  | 50.9  | 53.1  | 55.0  | 56.5  |
| 180         | min | 35.0  | 37.2  | 39.1  | 40.9  | 42.2  | 43.4  |
| 240         | min | 29.3  | 31.4  | 32.7  | 33.8  | 34.9  | 35.9  |
| 300         | min | 24.0  | 25.3  | 26.4  | 27.6  | 28.5  | 29.3  |
| 360         | min | 21.0  | 22.2  | 23.0  | 23.8  | 24.5  | 25.3  |
| 480         | min | 16.3  | 17.2  | 17.9  | 18.5  | 19.0  | 19.6  |
| 600         | min | 14.4  | 15.0  | 15.5  | 16.0  | 16.4  | 16.7  |
| 1200        | min | 7.42  | 7.79  | 8.12  | 8.44  | 8.75  | 8.90  |

#### - Discharge Rates in Amperes to Various End Voltages at 25°C (77°F)

| End Voltage |     | 1.85V | 1.80V | 1.75V | 1.70V | 1.65V | 1.60V |
|-------------|-----|-------|-------|-------|-------|-------|-------|
| Time        |     |       |       |       |       |       |       |
| 20          | min | 70.9  | 78.5  | 84.7  | 89.3  | 92.7  | 95.4  |
| 30          | min | 61.6  | 66.2  | 69.8  | 72.2  | 74.3  | 76.0  |
| 60          | min | 35.7  | 39.4  | 42.8  | 44.7  | 46.4  | 47.5  |
| 120         | min | 22.1  | 24.2  | 25.9  | 27.2  | 28.2  | 29.0  |
| 180         | min | 16.2  | 17.8  | 19.1  | 20.1  | 20.9  | 21.5  |
| 240         | min | 13.3  | 14.4  | 15.3  | 16.1  | 16.7  | 17.1  |
| 300         | min | 11.8  | 12.7  | 13.3  | 13.8  | 14.1  | 14.4  |
| 360         | min | 10.9  | 11.5  | 11.9  | 12.2  | 12.4  | 12.6  |
| 480         | min | 8.59  | 8.97  | 9.29  | 9.48  | 9.65  | 9.78  |
| 600         | min | 7.31  | 7.55  | 7.74  | 7.91  | 8.03  | 8.12  |
| 1200        | min | 3.69  | 3.84  | 3.96  | 4.08  | 4.17  | 4.23  |

All data on the spec. sheet is an average value:

The tolerance range : X<6min(+15%~-15%), 6min ≤ X<10min(+12%~-12%), 10min ≤ X < 60min(+8%~-8%), X ≥ 60min(+5%~-5%)

210121-11