

⚡ Specifications

Nominal Voltage(V)

12V

Nominal Capacity

10 hour rate	(0.53A to 10.50V)	5.3Ah
5 hour rate	(0.901A to 10.20V)	4.505Ah
1 C	(5.3A to 9.60V)	2.385Ah
3 C	(15.9A to 9.60V)	1.855Ah

Weight

Approx. 2.1kg(4.62Lbs.)

Internal Resistance (at 1KHz)

Approx. 13.6 mΩ

Cold Cranking Amperes (-17.8°C)

90A

High rate discharge characteristics (-10°C)

Discharge current (A)	40A
Duration (min)	2.7min
5 second voltage (V)	10.5V

Operating Temperature Range

Charge	-15°C(5°F)	to	40°C(104°F)
Discharge	-15°C(5°F)	to	50°C(122°F)
Storage	-15°C(5°F)	to	40°C(104°F)

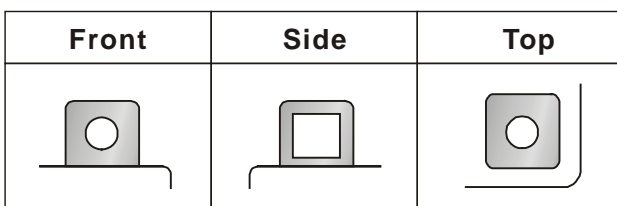
Charge Retention (shelf life) at 20°C(68°F)

1 month	92%
3 month	90%
6 month	80%

Case Material

PP

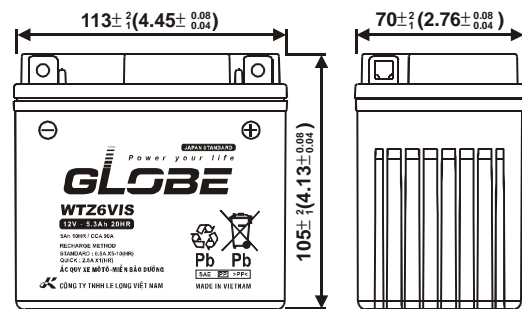
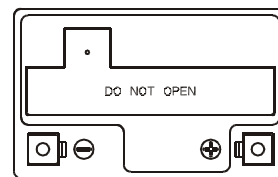
Terminal Shape



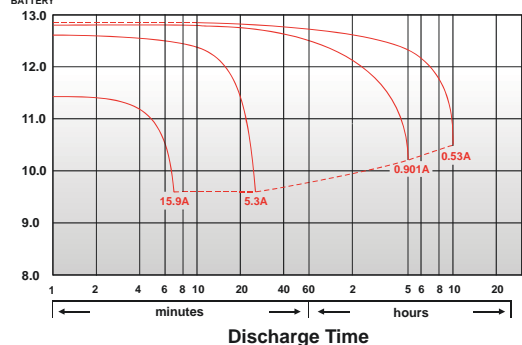
⚡ Dimensions

Length (L)	113±2-1 (4.45±0.08-0.04)
Width (W)	70±2-1 (2.76±0.08-0.04)
Height (H)	105±2-1 (4.13±0.08-0.04)
Overall Height (HT)	105±2-1 (4.13±0.08-0.04)

mm(inch)



(V) Discharge Time VS. Discharge Current (25°C)
FOR 12V BATTERY



111121-1D-V