

### ⚡ Specifications

#### Nominal Voltage(V)

12V

#### Nominal Capacity

20 hour rate	(0.115A to 10.50V)	2.3Ah
10 hour rate	(0.219A to 10.50V)	2.185Ah
5 hour rate	(0.391A to 10.20V)	1.955Ah
1 C	(2.3A to 9.60V)	1.150Ah
3 C	(6.9A to 9.60V)	0.805Ah

#### Weight

Approx. 860g(1.89Lbs.)

#### Internal Resistance (at 1KHz)

Approx. 60 mΩ

#### Maximum Discharge Current for

5 seconds: 34.5A

#### Charging Methods at 25°C(77°F)

Maximum Charging Current :	0.69A
Standby use:	
Float Charging Voltage	13.5 to 13.8V
Coefficient	-3.0mV/°C/cell

#### Operating Temperature Range

Charge	-15°C(5°F)	to	40°C(104°F)
Discharge	-15°C(5°F)	to	50°C(122°F)
Storage	-15°C(5°F)	to	40°C(104°F)

#### Charge Retention (shelf life) at 20°C(68°F)

1 month	92%
3 month	90%
6 month	80%

#### Case Material

ABS UL94 HB  
Option: Flammability resistance of (UL94 V-0)

#### Design Life

EUROBAT Classification:6-9 Years General Purpose

#### Terminal

F1 or F2 (Faston Tab 187 or 250)



### ⚡ Dimensions

#### Length (L)

178±1 (7.01±0.04)

#### Width (W)

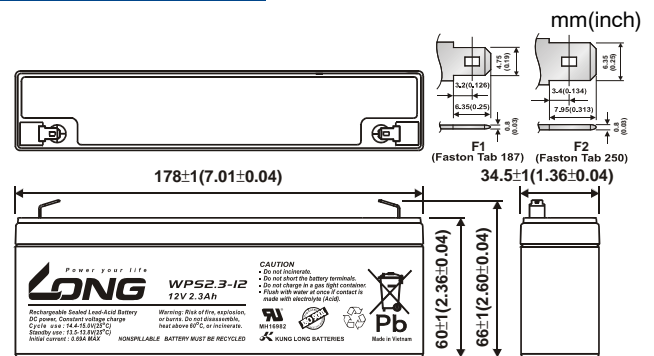
34.5±1 (1.36±0.04)

#### Height (H)

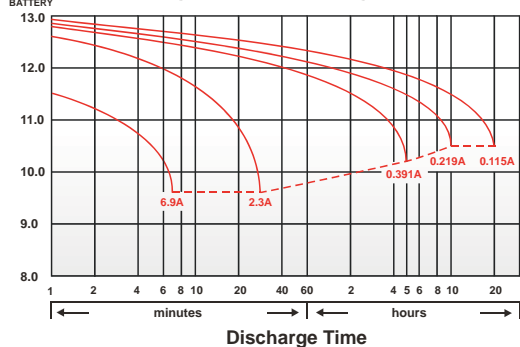
60±1 (2.36±0.04)

#### Overall Height (HT)

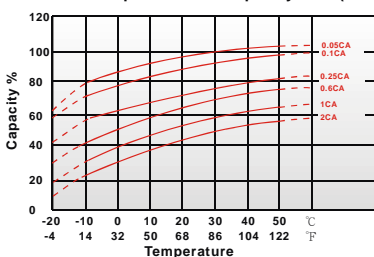
66±1 (2.60±0.04)



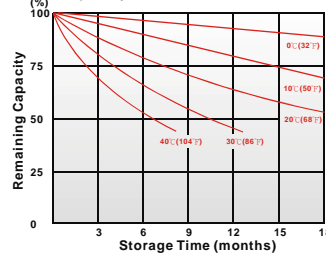
(V) FOR 12V BATTERY Discharge Time VS. Discharge Current (25°C)



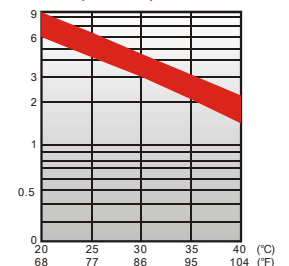
Effect of Temperature on Capacity 25°C(77°F)



Capacity Retention Characteristic



Trickle (or float) Service Life



210923-1C