

⚡ Specifications

Nominal Voltage(V)

12V

Nominal Power

15 mins rate: 24W/cell to 1.60V/cell

Nominal Capacity

20 hour rate	(0.3A	to	10.50V)	6Ah
5 hour rate	(1.02A	to	10.20V)	5.1Ah
1C	(6A	to	9.60V)	3.8Ah
3C	(18A	to	9.60V)	2.4Ah

Weight

Approx. 1.95kg(4.29Lbs.)

Internal Resistance (at 1KHz)

Approx. 16 mΩ

Maximum Discharge Current for

5 seconds: 90A

Charging Methods at 25°C(77°F)

Cycle use:	
Charging Voltage	14.4 to 15.0V
Coefficient -5.0mV/°C/cell	
Maximum Charging Current :	1.8A
Standby use:	
Float Charging Voltage	13.5 to 13.8V
Coefficient -3.0mV/°C/cell	

Operating Temperature Range

Charge	-15°C(5°F)	to	40°C(104°F)
Discharge	-15°C(5°F)	to	50°C(122°F)
Storage	-15°C(5°F)	to	40°C(104°F)

Charge Retention (shelf life) at 20°C(68°F)

1 month	97%
3 month	92%
6 month	85%

Case Material

ABS UL94 HB
Option: Flammability resistance of (UL94 V-0)

Design Life

3-5 Years.

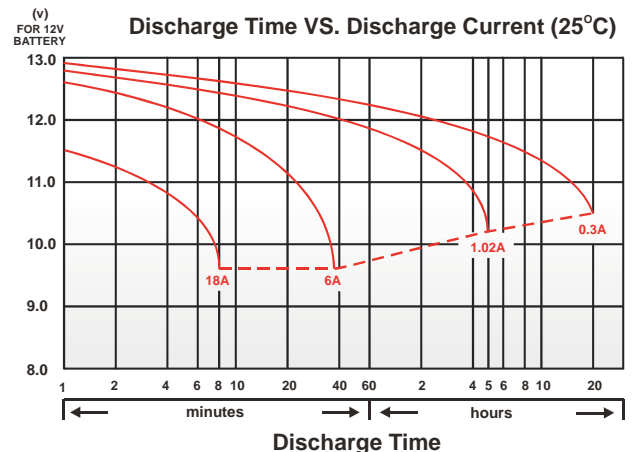
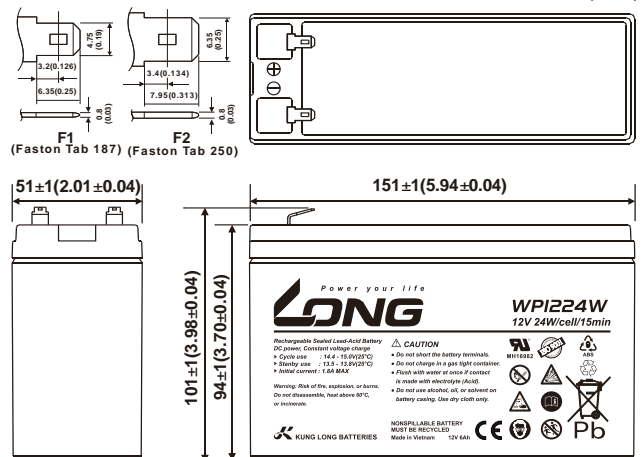
Terminal

F1 or F2 (Faston Tab 187 or 250)

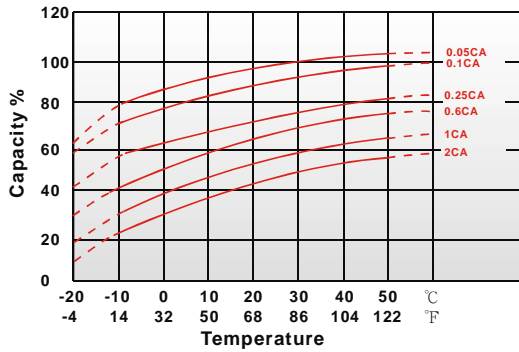


⚡ Dimensions

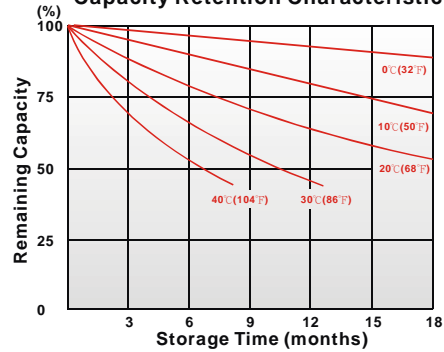
Length (L)	151 ± 1 (5.94 ± 0.04)
Width (W)	51 ± 1 (2.01 ± 0.04)
Height (H)	94 ± 1 (3.70 ± 0.04)
Overall Height (HT)	101 ± 1 (3.98 ± 0.04)



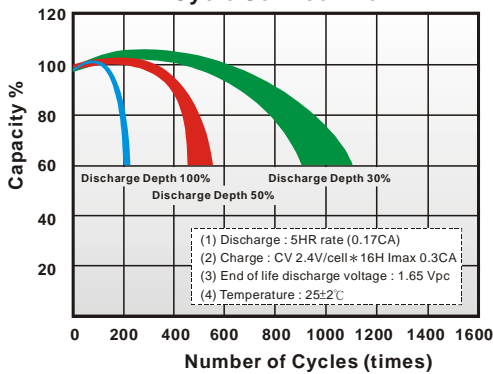
Effect of Temperature on Capacity 25°C(77°F)



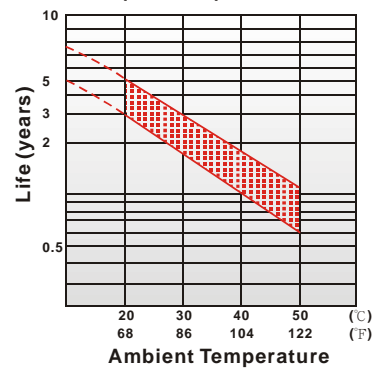
Capacity Retention Characteristic



Cycle Service Life



Trickle (or float) Service Life



- PERFORMANCE DATA

Discharge Rates in Watts to Various End Voltages at 25°C(77°F)

End Voltage		1.85V	1.80V	1.75V	1.70V	1.67V	1.65V	1.60V
Time								
5	min	37.8	43.7	47.3	50.4	51.3	52.4	54.0
8	min	28.0	32.5	35.7	38.0	39.0	39.8	41.0
10	min	25.7	29.2	31.3	33.0	33.9	34.3	35.3
15	min	20.3	22.4	23.8	25.0	25.3	25.8	26.3
20	min	16.3	17.7	19.0	19.9	20.2	20.5	20.8
30	min	13.3	14.3	14.8	15.2	15.4	15.6	15.9
60	min	7.20	7.73	8.03	8.30	8.38	8.48	8.64
120	min	4.40	4.65	4.87	5.02	5.07	5.13	5.22
300	min	2.01	2.14	2.22	2.29	2.31	2.34	2.37
600	min	1.26	1.29	1.30	1.31	1.32	1.32	1.33
1200	min	0.688	0.700	0.709	0.717	0.720	0.723	0.726

- Discharge Rates in Amperes to Various End Voltages at 25°C(77°F)

End Voltage		1.85V	1.80V	1.75V	1.70V	1.67V	1.65V	1.60V
Time								
5	min	19.1	22.6	24.9	27.0	27.7	28.6	29.8
8	min	17.0	18.8	19.9	20.8	21.1	21.5	22.1
10	min	14.2	15.7	16.8	17.7	18.0	18.4	19.0
15	min	11.3	12.2	12.9	13.4	13.6	13.7	13.9
20	min	9.71	10.2	10.3	10.7	10.9	11.0	11.2
30	min	6.78	7.19	7.46	7.69	7.78	7.90	8.07
60	min	3.63	3.85	4.00	4.13	4.19	4.24	4.32
120	min	1.88	2.01	2.12	2.21	2.25	2.29	2.34
300	min	0.961	1.032	1.071	1.097	1.108	1.12	1.13
600	min	0.593	0.612	0.619	0.626	0.628	0.631	0.636
1200	min	0.319	0.327	0.332	0.337	0.339	0.341	0.343

All data on the spec. sheet is an average value:

The tolerance range : X < 6min(+15%~-15%), 6min ≤ X < 10min(+12%~-12%), 10min ≤ X < 60min(+8%~-8%), X ≥ 60min(+5%~-5%)

290424-1H