

Specifications

Nominal Voltage(V)

12V

Nominal Capacity

20 hour rate	(1.75A to 10.50V)	35Ah
10 hour rate	(3.325A to 10.50V)	33.25Ah
5 hour rate	(5.95A to 10.20V)	29.75Ah
1 C	(35A to 9.60V)	19.83Ah
3 C	(105A to 9.60V)	14Ah

Weight

Approx. 10.5kg(23.1Lbs.)

Internal Resistance (at 1KHz)

Approx. 8mΩ

Maximum Discharge Current for

5 seconds: 525A

Charging Methods at 25°C(77°F)

Cycle use:	
Charging Voltage	14.4 to 15.0V
Coefficient	-5.0mV/°C/cell
Maximum Charging Current :	10.5A
Standby use:	
Float Charging Voltage	13.5 to 13.8V
Coefficient	-3.0mV/°C/cell

Operating Temperature Range

Charge	-15°C(5°F)	to	40°C(104°F)
Discharge	-15°C(5°F)	to	50°C(122°F)
Storage	-15°C(5°F)	to	40°C(104°F)

Charge Retention (shelf life) at 20°C(68°F)

1 month	97%
3 month	92%
6 month	85%

Case Material

ABS UL94 HB
Option: Flammability resistance of (UL94 V-0)

Design Life

3-5 Years.

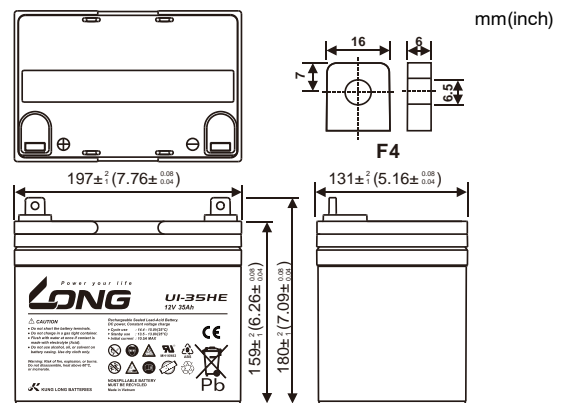
Terminal

F4

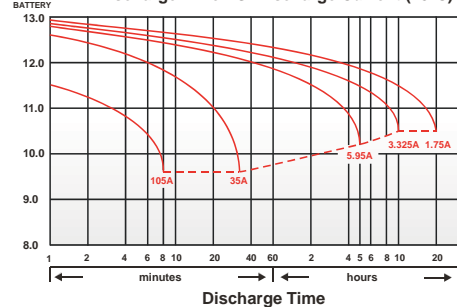


Dimensions

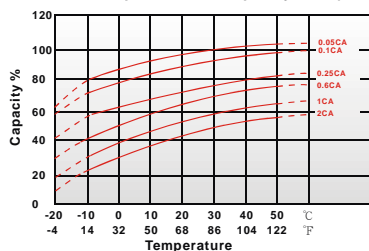
Length (L)	197 ± 1 (7.76 ± 0.04)
Width (W)	131 ± 1 (5.16 ± 0.04)
Height (H)	159 ± 1 (6.26 ± 0.04)
Overall Height (HT)	180 ± 1 (7.09 ± 0.04)



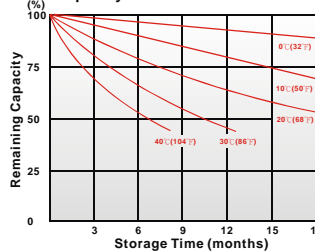
(V) Discharge Time VS. Discharge Current (25°C)



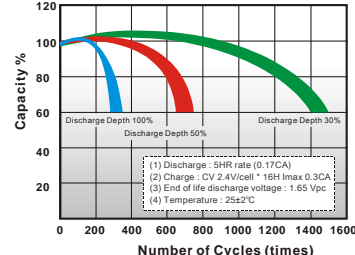
Effect of Temperature on Capacity 25°C(77°F)



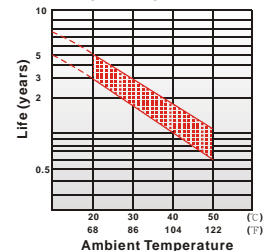
Capacity Retention Characteristic



Cycle Service Life



Trickle (or float) Service Life



050624-1C