

⚡ Specifications

Nominal Voltage(V)

12V

Nominal Capacity

10 hour rate	(0.5A to 10.50V)	5Ah
5 hour rate	(0.85A to 10.20V)	4.25Ah
1 C	(5A to 9.60V)	2.25Ah
3 C	(15A to 9.60V)	1.75Ah

Weight

Approx. 1.8kg(3.96Lbs.)

Internal Resistance (at 1KHz)

Approx. 14.3 mΩ

Cold Cranking Amperes (-18°C)

90A

High rate discharge characteristics (-10°C)

Discharge current (A)	40A
Duration (min)	1.2min
5 second voltage (V)	9.8V

Operating Temperature Range

Charge	-15°C(5°F)	to	40°C(104°F)
Discharge	-15°C(5°F)	to	50°C(122°F)
Storage	-15°C(5°F)	to	40°C(104°F)

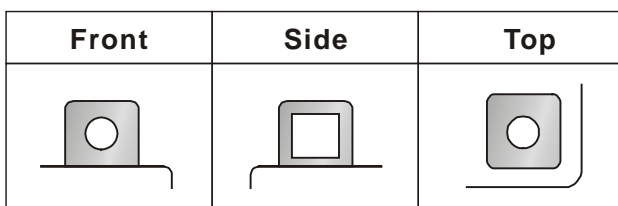
Charge Retention (shelf life) at 20°C(68°F)

1 month	92%
3 month	90%
6 month	80%

Case Material

PP

Terminal Shape



⚡ Dimensions

Length (L)

$113 \pm 1^{+2}$ (4.45 ± 0.08)

Width (W)

$70 \pm 1^{+2}$ (2.76 ± 0.08)

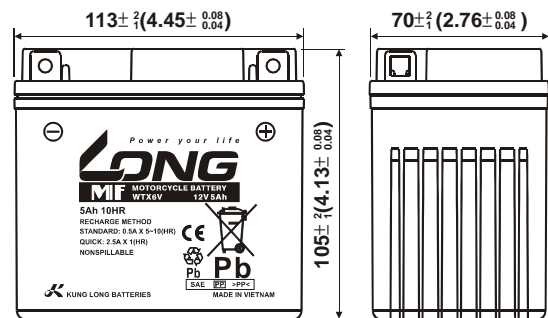
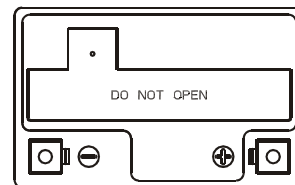
Height (H)

$105 \pm 1^{+2}$ (4.13 ± 0.08)

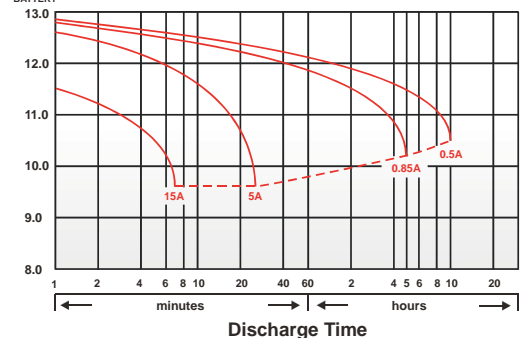
Overall Height (HT)

$105 \pm 1^{+2}$ (4.13 ± 0.08)

mm(inch)



(V) FOR 12V BATTERY Discharge Time VS. Discharge Current (25°C)



160424-1A