

⚡ Specifications

Nominal Voltage(V)

12V

Nominal Power

15 mins rate: 550W/cell to 1.60V/cell

Nominal Capacity

20 hour rate	(7.75A to 10.50V)	155Ah
10 hour rate	(15.5A to 10.50V)	155Ah
5 hour rate	(26.35A to 10.20V)	131.75Ah
1 hour rate	(93A to 9.60V)	93Ah
1C	(155A to 9.60V)	93Ah

Weight

Approx. 49.8kg(110Lbs.)

Internal Resistance (at 1KHz)

Approx. 2.9 mΩ

Maximum Discharge Current for

5 seconds: 1550A

Charging Methods at 25°C(77°F)

Maximum Charging Current : 46.5A
 Standby use:
 Float Charging Voltage 13.5 to 13.8V
 Coefficient -3.0mV/°C/cell

Operating Temperature Range

Charge	-15°C(5°F) to 40°C(104°F)
Discharge	-15°C(5°F) to 50°C(122°F)
Storage	-15°C(5°F) to 40°C(104°F)

Charge Retention (shelf life) at 20°C(68°F)

1 month	98%
3 month	94%
6 month	85%

Case Material

ABS UL94 HB
 Option: Flammability resistance of (UL94 V-0)

Design Life & Standard

Expected Trickle Design Life: 10-12 years at 20°C according to Eurobat.

Terminal

F18



⚡ Dimensions

Length (L) 483±3 (19.02±0.12)

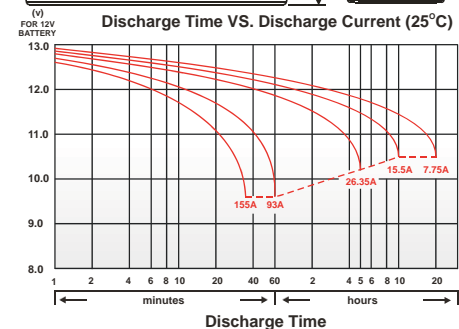
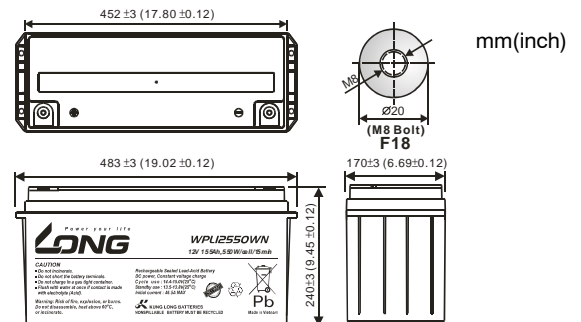
Width (W) 170±3 (6.69±0.12)

Height (H) 240±3 (9.45±0.12)

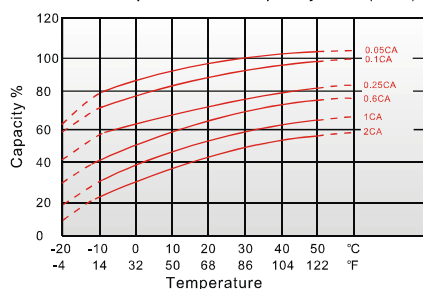
Overall Height (HT) 240±3 (9.45±0.12)

Description of torque value of hard ware for the terminals:

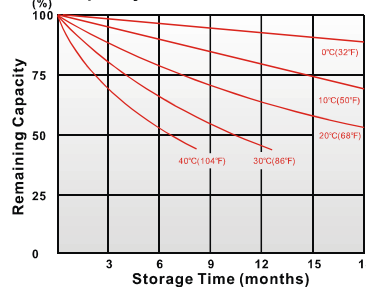
Recommended torque value M8:12 N-m (122kgf-cm)
 Maximum allowable torque value M8:20 N-m (204kgf-cm)



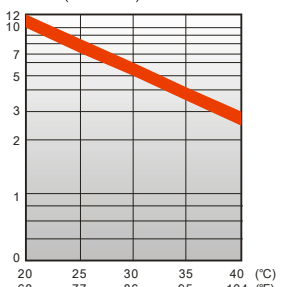
Effect of Temperature on Capacity 25°C(77°F)



Capacity Retention Characteristic



Trickle (or float) Service Life



300623-1J