

### ⚡ Specifications

#### Nominal Voltage(V)

12V

#### Nominal Capacity

20 hour rate	(1.75A to 10.50V)	35Ah
10 hour rate	(3.325A to 10.50V)	33.25Ah
5 hour rate	(5.95A to 10.20V)	29.75Ah
1 C	(35A to 9.60V)	19.83Ah
3 C	(105A to 9.60V)	14Ah

#### Weight

Approx. 10.5kg(23.1Lbs.)

#### Internal Resistance (at 1KHz)

Approx. 8mΩ

#### Maximum Discharge Current for

5 seconds: 525A

#### Charging Methods at 25°C(77°F)

Cycle use:	
Charging Voltage	14.4 to 15.0V
Coefficient -5.0mV/°C/cell	
Maximum Charging Current :	10.5A
Standby use:	
Float Charging Voltage	13.5 to 13.8V
Coefficient -3.0mV/°C/cell	

#### Operating Temperature Range

Charge	-15°C(5°F)	to	40°C(104°F)
Discharge	-15°C(5°F)	to	50°C(122°F)
Storage	-15°C(5°F)	to	40°C(104°F)

#### Charge Retention (shelf life) at 20°C(68°F)

1 month	97%
3 month	92%
6 month	85%

#### Case Material

ABS UL94 HB

Option: Flammability resistance of (UL94 V-0)

#### Terminal

F4



### ⚡ Dimensions

#### Length (L)

197 ± 1 (7.76 ± 0.08)

#### Width (W)

131 ± 1 (5.16 ± 0.08)

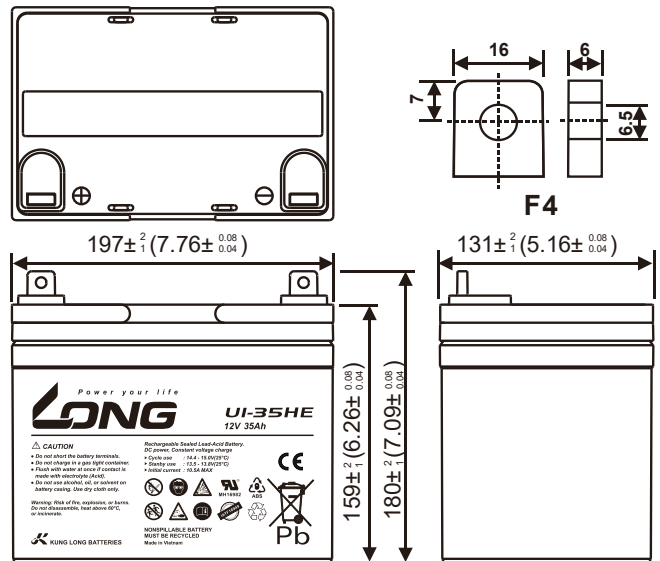
#### Height (H)

159 ± 1 (6.26 ± 0.08)

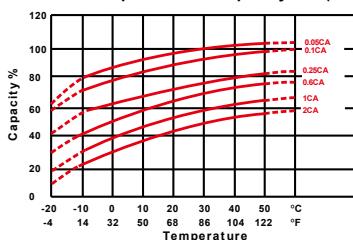
#### Overall Height (HT)

180 ± 1 (7.09 ± 0.08)

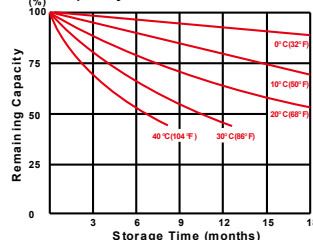
mm(inch)



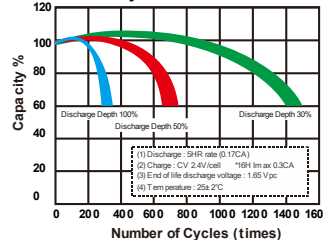
Effect of Temperature on Capacity 25C(77°F)



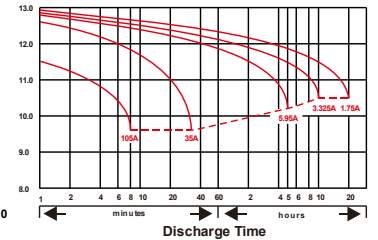
Capacity Retention Characteristic



Cycle Service Life



Discharge Time VS. Discharge Current (25°C)



230924-1D